

Name Josh Cyrul

Date 6/8/2008

Temp. 95 F

Track 301 Raceway

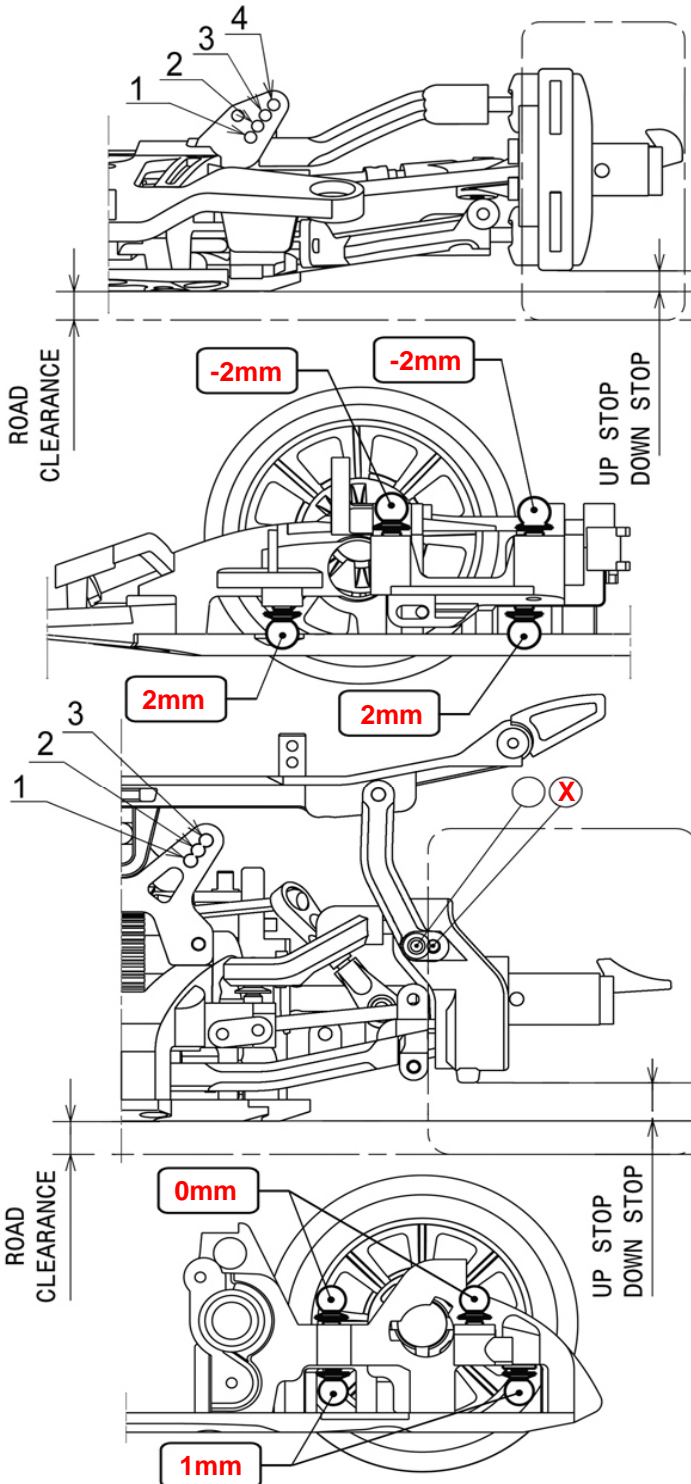
Traction Medium

Engine Novarossi 359

1/8th Scale 4WD Gas Powered Racing Car



SETUP



Front Suspension

Up Stop	None
Down Stop	-1mm
Front width	253
Toe Angle	1 degree toe out
Camber Angle	L-2 / R-1.5
Caster	Shims 1/1
Front Antiroll Bar	<input type="checkbox"/> <input checked="" type="checkbox"/> <input type="checkbox"/> <input type="checkbox"/> <input type="checkbox"/>
Shock Oil	Losi 50wt
Shock Piston	Standard
Spring	Kyosho White
Spring Adjuster	?
Shock Pos	1

Tyre Type	JACO
Tyre Hardness	35 shore
Tyre Diameter	67mm
Road Clearance	7mm

Rear Suspension

Up Stop	None
Down Stop	5mm
Rear width	263mm
Toe Angle	3.0 degrees
Camber Angle	L-3.5 / R -3.0
Rear Antiroll Bar	<input type="checkbox"/> <input checked="" type="checkbox"/> <input type="checkbox"/> <input type="checkbox"/> <input type="checkbox"/>
Shock Oil	Losi 50wt
Shock Piston	Standard
Spring	Kyosho White
Spring Adjuster	?
Shock Pos	1

Clutch Shoe	Yellow	Pinion Gear	17/21
Clutch Spring	MSR	Spur Gear	50/44
Clearance	.5mm		Parma R11
Adj Nut	1.0mm	Rear Spoiler	7mm

Tyre Type	JACO
Tyre Hardness	35 shore
Tyre Diameter	75mm
Road Clearance	7.5mm