

Name Josh Cyrul

Date 6/30/2008

Temp. 85 F

Track Leisure Hours

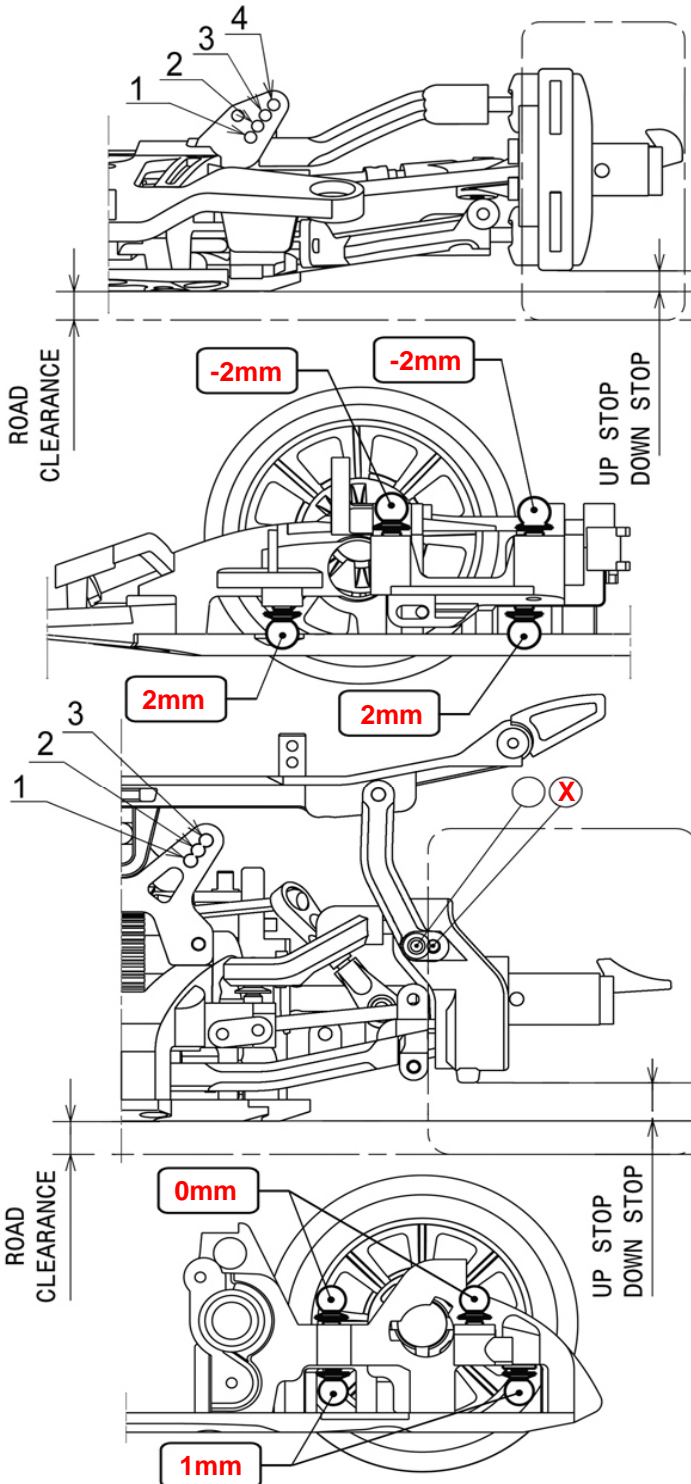
Traction High

Engine Novarossi 359

1/8th Scale 4WD Gas Powered Racing Car



SETUP



Front Suspension

Up Stop	None
Down Stop	0mm
Front width	254
Toe Angle	1 degree toe out
Camber Angle	L-2 / R-1.5
Caster	Shims 1/1
Front Antiroll Bar	<input type="checkbox"/> <input checked="" type="checkbox"/> <input type="checkbox"/> <input type="checkbox"/> <input type="checkbox"/>
Shock Oil	Losi 60wt
Shock Piston	Standard
Spring	Kyosho White
Spring Adjuster	?
Shock Pos	1

Tyre Type	JACO Prism
Tyre Hardness	35 shore
Tyre Diameter	65mm
Road Clearance	7mm

Rear Suspension

Up Stop	None
Down Stop	6mm
Rear width	263mm
Toe Angle	2.5 degrees
Camber Angle	L-3.5 / R-3.0.
Rear Antiroll Bar	<input type="checkbox"/> <input checked="" type="checkbox"/> <input type="checkbox"/> <input type="checkbox"/> <input type="checkbox"/>
Shock Oil	Losi 60wt
Shock Piston	Standard
Spring	Kyosho White
Spring Adjuster	?
Shock Pos	2

Clutch Shoe	Yellow	Pinion Gear	17/21
Clutch Spring	MSR	Spur Gear	49/46
Clearance	.5mm		Parma R11
Adj Nut	1.0mm	Rear Spoiler	7mm

Tyre Type	JACO Prism
Tyre Hardness	35 shore
Tyre Diameter	73mm
Road Clearance	7.5mm